

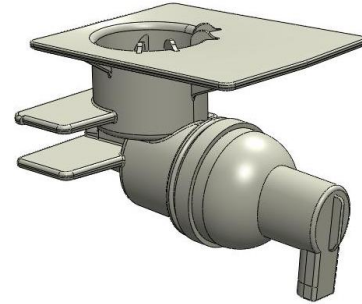
Dispenser for Soap

Both Liquid and Foam



500 ml

Size: 194(H) x 100(W) x 112(D), mm



Interchangeable pump (top) Antibacterial button dispenses just the right dose of soap for a hand-wash (bottom).

1000 ml

Size: 275(H) x 100(W) x 112(D), mm

Packing: One unit per card board box, on standard heat-treated wooden EUR pallets, shrink-wrapped.
400 of 500 ml units per pallet. 260 of 1000 ml units per pallet.
Alternative packing available.

- Appealing, harmonious and modern look suiting all washroom environments.
- Come with compatible pump inserts. Dispensers can be instantly changed from dispensing liquid to foam and vice versa.
- With antibacterial pump section. Both models are identical in terms of design, features and performance.
- Very hygienic to use, simple to refill and easy to service.
- Reliable and tested functionality. Build to last for a very long time.
- Highly economic to use. 1000 ml unit is capable of dispensing 1400 doses and 500 ml unit 700 doses.
- Versatile usage. Can be used with cartridges, bags and refillable bottles or containers. Also suitable to dispense disinfectants for toilet seat cleaning and hand lotion.
- Robust lids ensure high level of resistance to vandalism. Innovative locking mechanism functions with or without a key.
- Enhanced surface quality, which is easy to keep clean by simply wiping. There are no joints, which attract dirt.
- Grey and white are standard lid colors. Other lid colors are also possible.